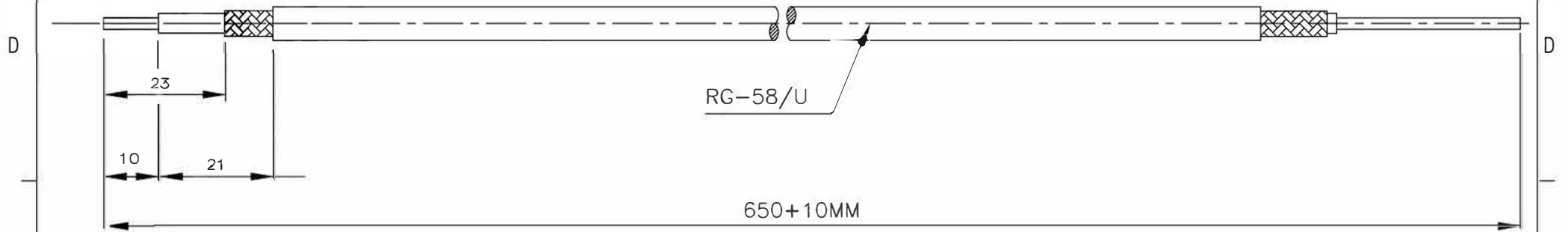


UHF-04F-DGN

STRIPPING DRAWING

UHF-04F-DGN



(STRIPPING CABLE)

(CRIMPING THE PIN+RING)

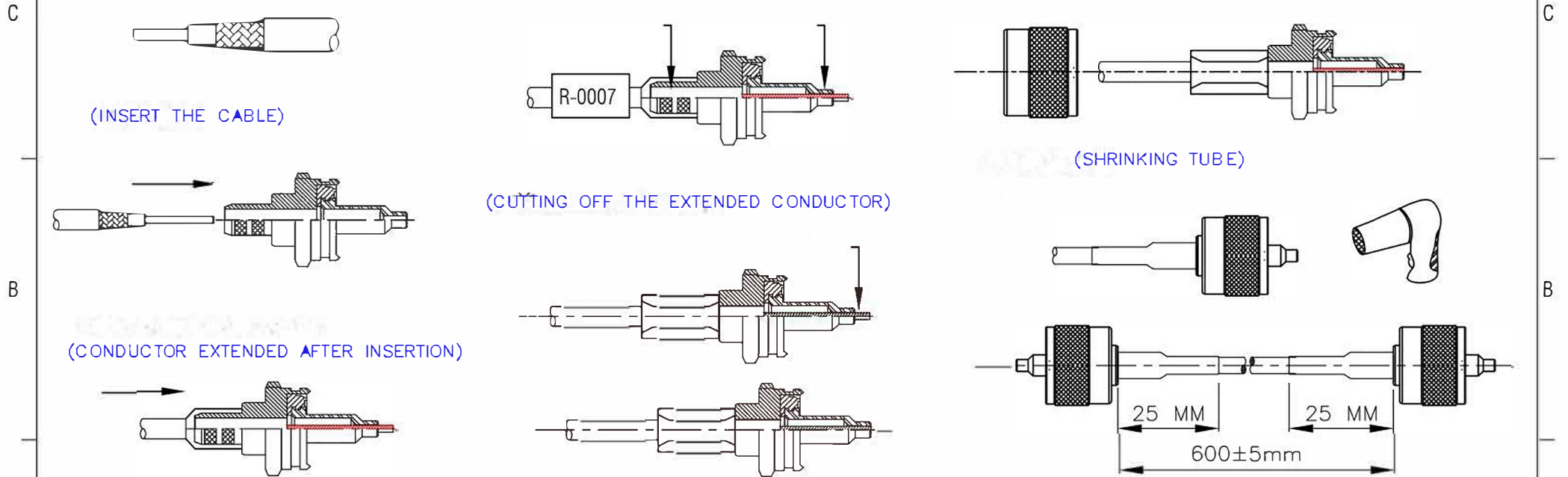
(THREAD IN THE SHELL)

(INSERT THE CABLE)

(CUTTING OFF THE EXTENDED CONDUCTOR)

(SHRINKING TUBE)

(CONDUCTOR EXTENDED AFTER INSERTION)



|  |  |                                   |   |                |             |          |
|--|--|-----------------------------------|---|----------------|-------------|----------|
|  | HUS-TSAN GROUP CO., LTD.<br>P.O.BOX 40-76.TAINAN.TAIWAN,R.O.C. | DRAWN <b>蘇姿潔</b> DATE 100.12.05   | DIMENSIONS ARE IN MILLIMETERS           |                | REVISION    |          |
|  | TITLE UHF PLUG - UHF PLUG<br>RG-58/U                           | CHECKED <b>蘇志欣</b> DATE 100.12.05 | UNLESS OTHERWISE SPECIFIED<br>TOLERANCE |                | DESCRIPTION | ENGINEER |
|  | PART NO. 015050837   | Q.A. <b>莊千慧</b> DATE              | 0.5-5=±0.2                              | 120-315=±1     |             |          |
|  | DRAWING NO. 015050837  | APPROVAL <b>徐燦霖</b> DATE          | 5-30= ±0.4                              | 315-1000=±1.6  |             |          |
|  |  | REVISION DATE                     | 30-120=±0.6                             | 1000-2000=±2.4 |             |          |
|  |  |                                   | SCALE 4:1                               | SIZE A         |             |          |