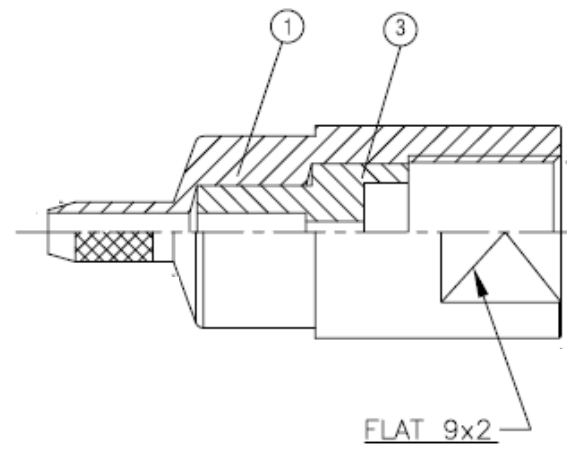
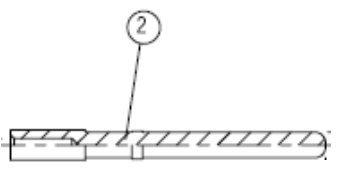
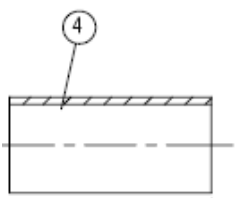
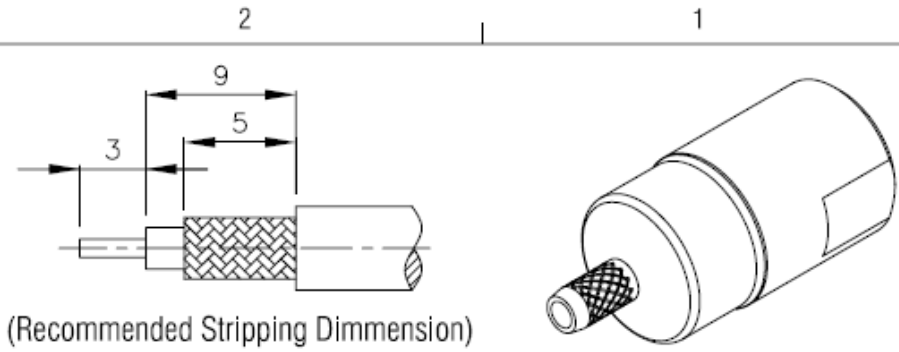


NO	DESCRIPTION	MATERIAL	Q'TY	FINISH	REMARK
1	BODY	BRASS	1	BRASS	B-FME0005-N
2	PIN	BRASS	1	GOLD	P-FME0005-G
3	INSULATION	TEFLON	1	TEFLON	I-0091T
4	RING	BRASS	1	NICKEL	R-0030-N



www.midtkom.dk

FME male crimp RG174U & RG316U

Part nr. 19530

DRAWN	MARY	DATE	96.04.16
CHECKED	黃巧君	DATE	
Q.A.	蘇姿潔	DATE	
APPROVAL	徐燦霖	DATE	
REVISION		DATE	

DIMENSIONS ARE IN MILLIMETERS			
UNLESS OTHERWISE SPECIFIED TOLERANCE			
0.5-5=±0.2	120-315=±1		
5-30=±0.4	315-1000=±1.6		
30-120=±0.6	1000-2000=±2.4		
SCALE	4:1	SIZE	A

REVISION	
DESCRIPTION	ENGINEER