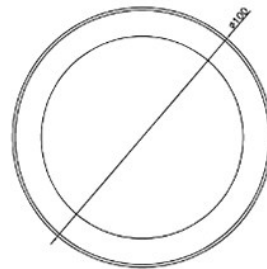




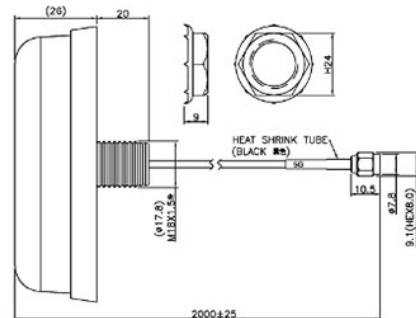
# PUCK antenna - 5G LTE

## Low Profile Puck Antenna Designed for use in 5G, 4G LTE 600-6000MHz

- Supports GSM/3G, 4G LTE, 5G
- Fully Waterproof when mounted - IP67 waterproof
- For indoor or outdoor use - UV resistant
- Groundplane Independent
- 3 M. RG174 Cable / SMA male.



Design and Made in Taiwan



### ELECTRICAL SPECIFICATIONS

Frequency range (MHz)	600~960 / 1710~6000MHz
Polarisation	Linear
Gain	0~4dBi
Max. Power input	30 Watt
VSWR	≤ 2.5
Impedance	50 Ω

### Mechanical specifications

Material	ABS, PTFE, brass and PCB
Mount type	Bolt-on
Cable / Connector	300 mm RG174 and SMA (m) connector
Dimensions	100 x 26mm
Operating temperature range (°C)	-20 to +75
Part no.	35620

MIDTKOM ApS - Ølandsvej 4 - DK-8800 Viborg - Denmark - CVR (VAT) 30234138

Tel.: +45 40500900 - E-mail: info@midtkom.dk - Web: www.midtkom.dk