

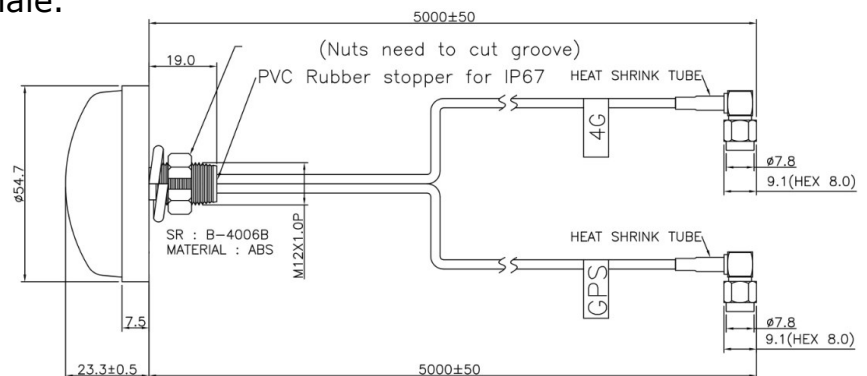


PUCK antenna - 4G LTE / GPS

Low Profile Puck Antenna

Designed for use in 4G LTE 700-2700MHz & GPS

- Supports GPS / GSM/3G , 4G LTE
- Fully Waterproof when mounted - IP67 waterproof
- For indoor or outdoor use - UV resistant
- Groundplane Independent
- 3 M. RG174 Cabel / SMA R/A male.



ELECTRICAL SPECIFICATIONS - 4G LTE

Frequency range (MHz)	700~960 / 1710~2170 / 2.6~2.7 GHz
Polarisation	Linear
Gain	0~2dBi
Max. Power input	10 Watt
VSWR	<2.5
Impedance	50 Ω

ELECTRICAL SPECIFICATIONS - GPS

Frequency range (MHz)	1575,42 MHz
Polarisation	RHCP (right hand circular polarization)
Gain	LNA 30 dB
Power consumption	2.7 to 5.5VDC/28mA
VSWR	2.0 Max
Impedance	50 Ω

MIDTKOM ApS - Ølandsvej 4 - DK-8800 Viborg - Denmark - CVR (VAT) 30234138

Tel.: +45 40500900 - E-mail: info@midtkom.dk - Web: www.midtkom.dk



PUCK antenna - 4G LTE / GPS

Mechanical specifications	
Material	ABS, PTFE, brass and PCB
Mount type	Bolt-on
Color	Black
Dimensions	54.7 x 23.3mm
Operating temperature range (°C)	-30 to +80
Cable	500 mm - 4G LTE RG316 / GPS RG174 / Black (or OEM length)
Connector Type	SMA R/A male (optional FME, BNC, MCX, TNC)
Part no.	38380



MIDTKOM ApS - Ølandsvej 4 - DK-8800 Viborg - Denmark - CVR (VAT) 30234138

Tel.: +45 40500900 - E-mail: info@midtkom.dk - Web: www.midtkom.dk